

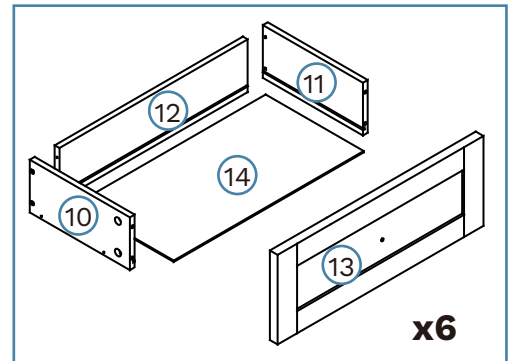
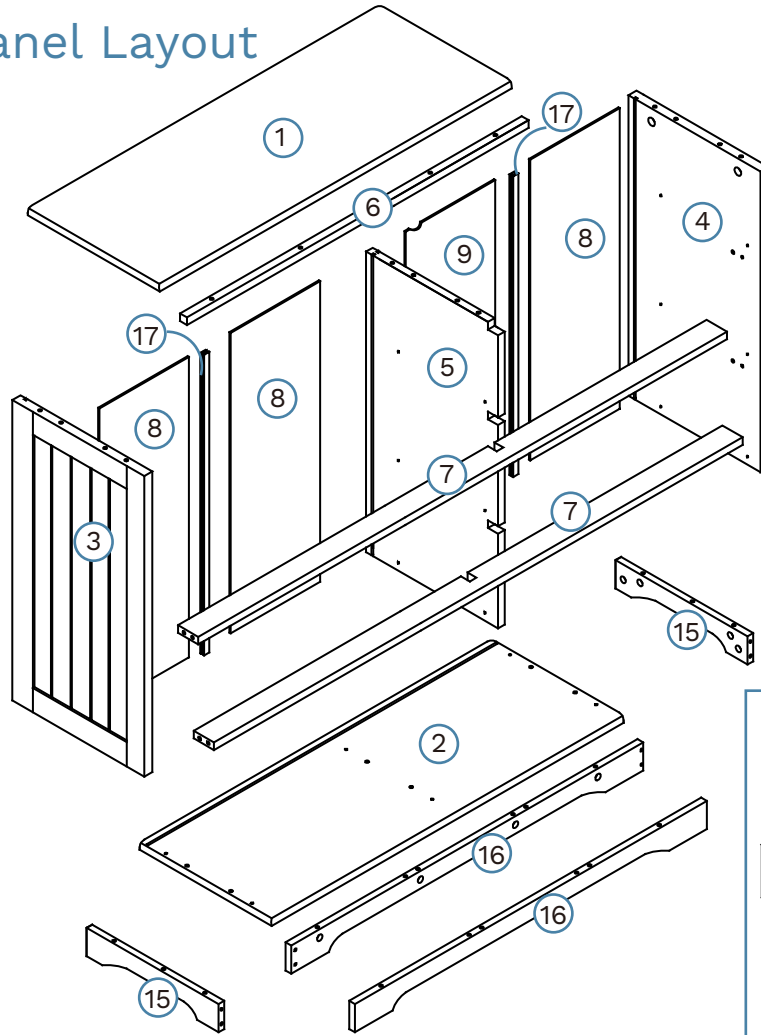
Hamptons Six Drawer

Thank you for your purchase. Please follow the instructions for correct assembly. While we took great effort to ensure these assembly instructions were correct at the time of printing, sometimes updates are required post production. For the most up to date versions please refer to the product page on our website. mocka.com.au/mocka.co.nz



Hamptons Six Drawer






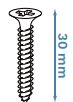
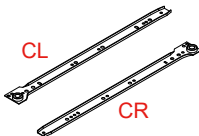

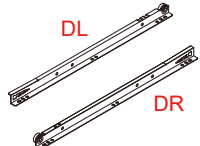
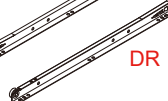
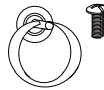


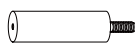
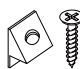
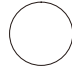
Panel Layout








Partlist

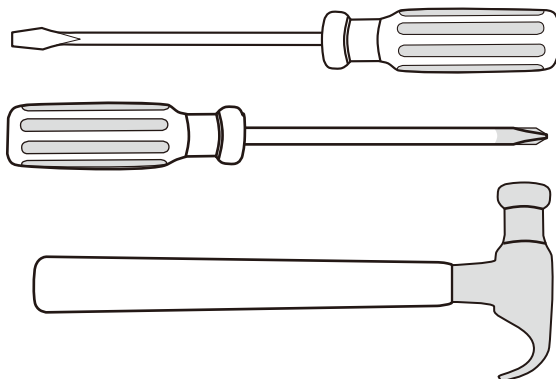
①	Top Panel	x1	⑩	Left Drawer Side	x6
②	Bottom Panel	x1	⑪	Right Drawer Side	x6
③	left Side Panel	x1	⑫	Back Panel	x6
④	Right Side Panel	x1	⑬	Drawer Front	x6
⑤	Divider	x1	⑭	Drawer Base	x6
⑥	Slats	x1	⑮	Bottom Frame	x2
⑦	Slats	x2	⑯	Bottom Frame	x2
⑧	Back Panel	x3	⑰	Back Slats	x2
⑨	Back Panel	x1			

Hamptons Six Drawer

A  bolt x50	B  locking nut x 50	C  dowel x26	D  long screw x6	E  small screw x48	F  medium screw x24	
CL  L+R slide rail x12	CR 	DL  L+R slide rail x12	DR 	I  handle x6	J  small screw x4	K  long screw x1
L  shelf plug x1	N  wedge x12	O  cover x24	HARDWARE SUPPLIED			

V  safety strap x 1	W  screw x 1	X  wall anchor x 1	Y  wall screw x 1	Z  washer x 1
WALL STRAP				

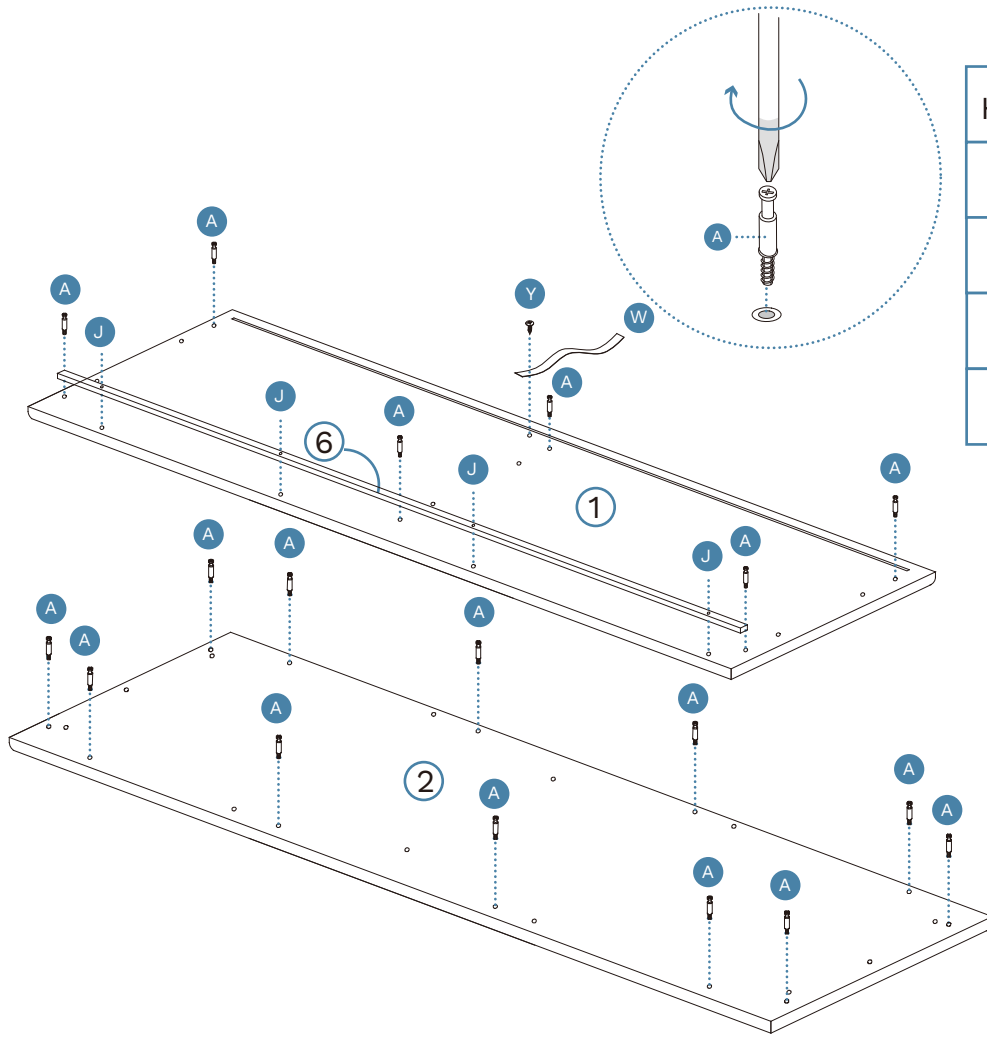
WARNING: Any furniture that is not anchored to a wall has the potential to tip over in certain circumstances, i.e. if a child attempts to climb up on the furniture or in the event of an earthquake. Accordingly, we recommend that all furniture is anchored to a wall. We supply a free safety wall anchor with all furniture sold and we recommend these are used to prevent your product tipping. The fixing device provided should fit most wall types, but please note that different wall materials may require different fixing devices from those supplied.

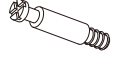





Phillips & Flathead screwdrivers
and hammer required
**For quicker assembly, we recommend the
use of a power drill on a low-speed setting.**

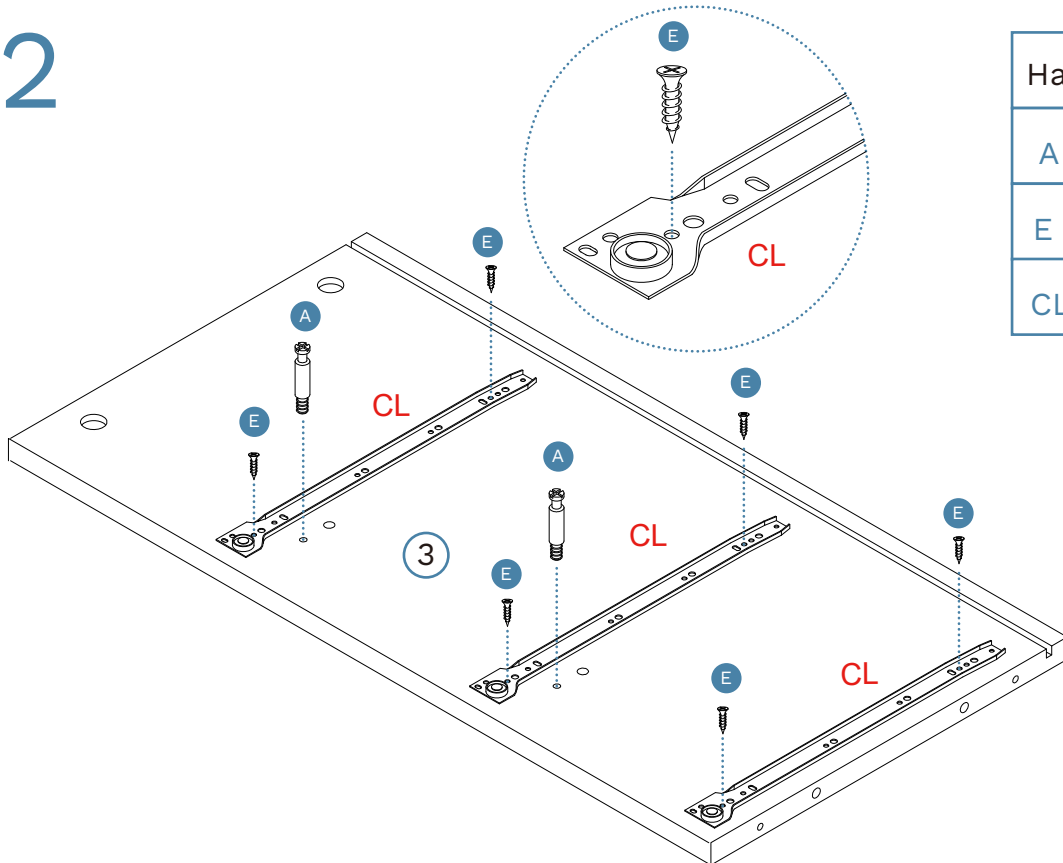
Hamptons Six Drawer

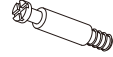


1



Hardware Needed		
A		x18
J		x4
Y		x1
W		x1

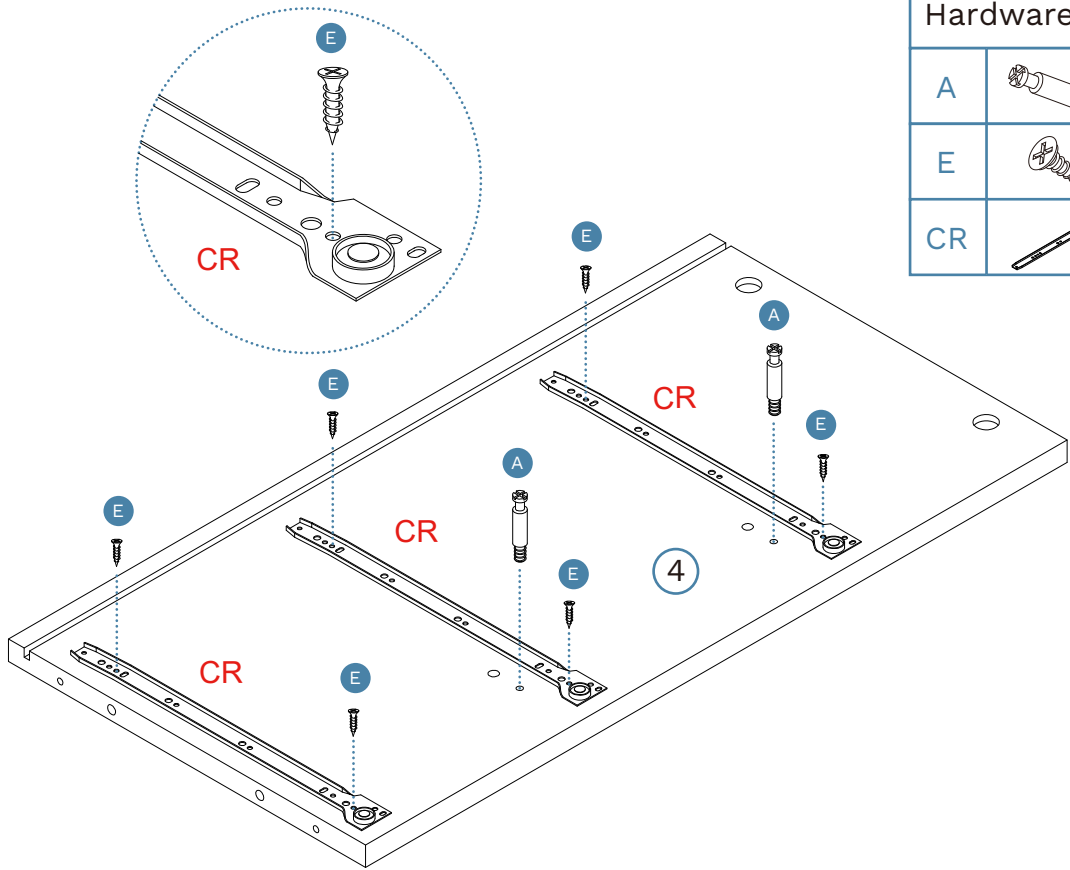
2

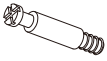




Hardware Needed		
A		x2
E		x6
CL		x3

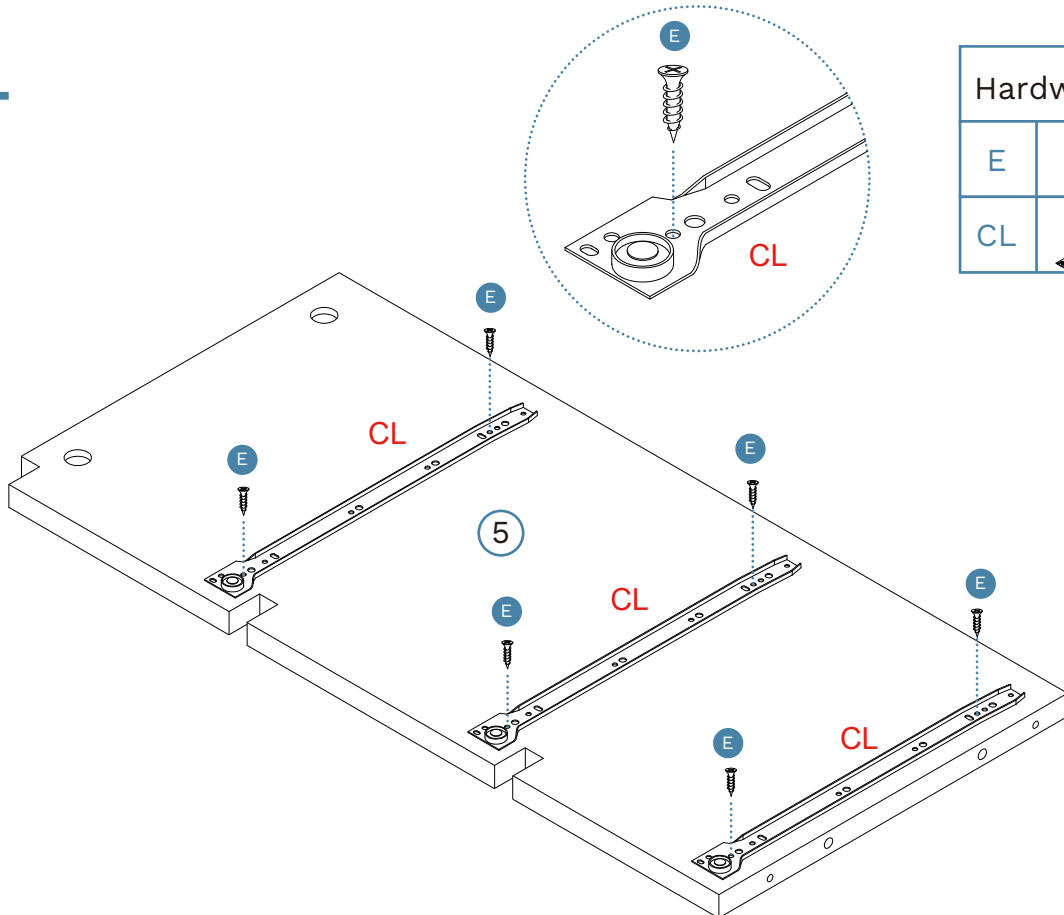
Hamptons Six Drawer



3



Hardware Needed		
A		x2
E		x6
CR		x3

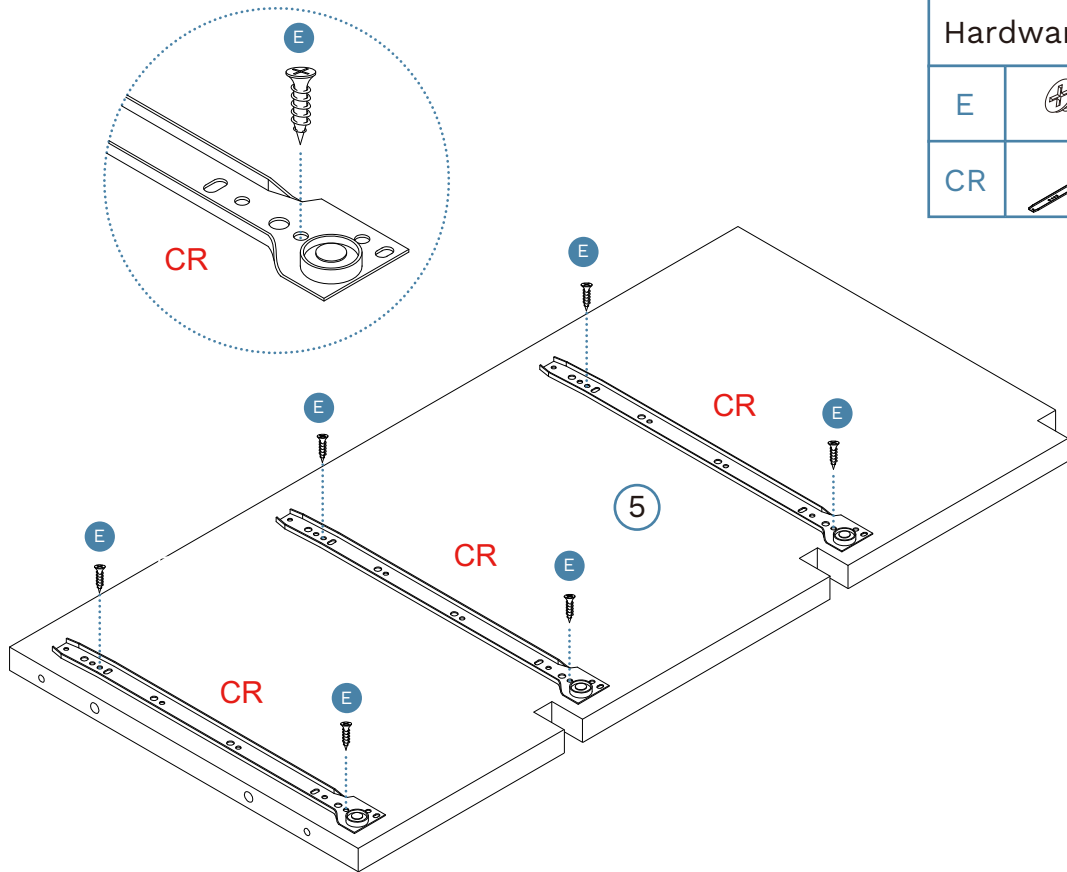
4





Hardware Needed		
E		x6
CL		x3

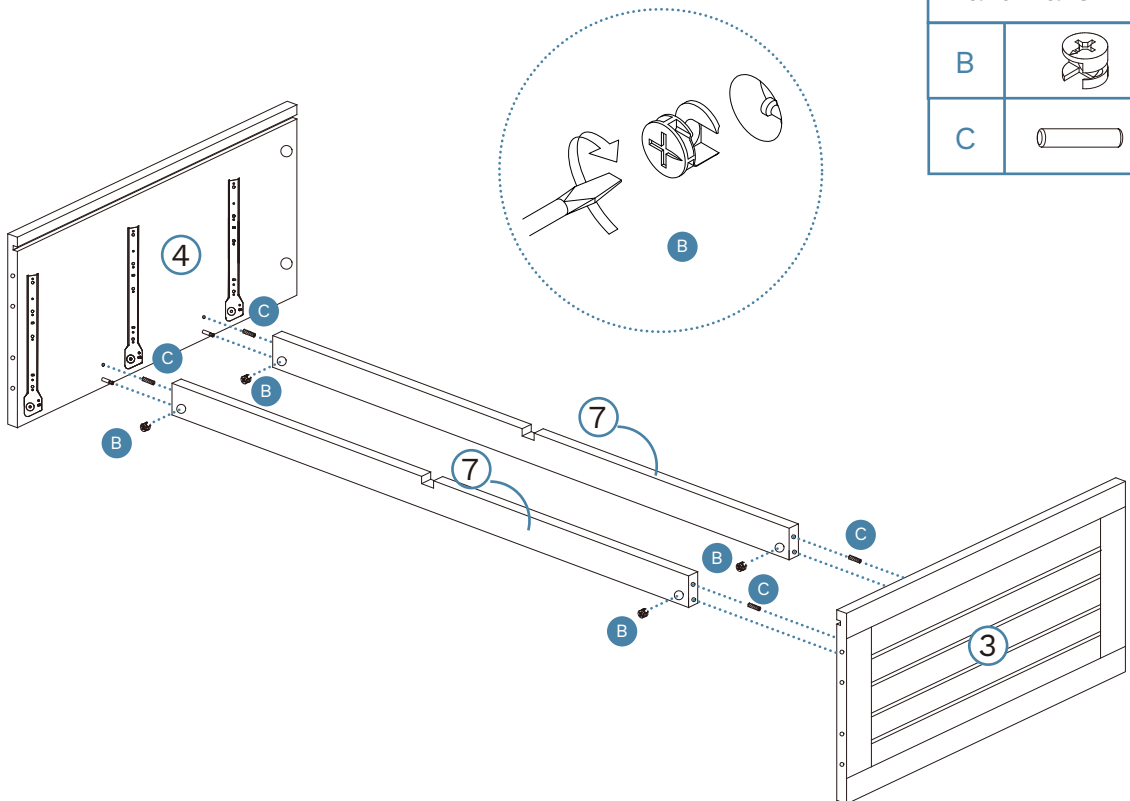
Hamptons Six Drawer



5



Hardware Needed		
E		x6
CR		x3

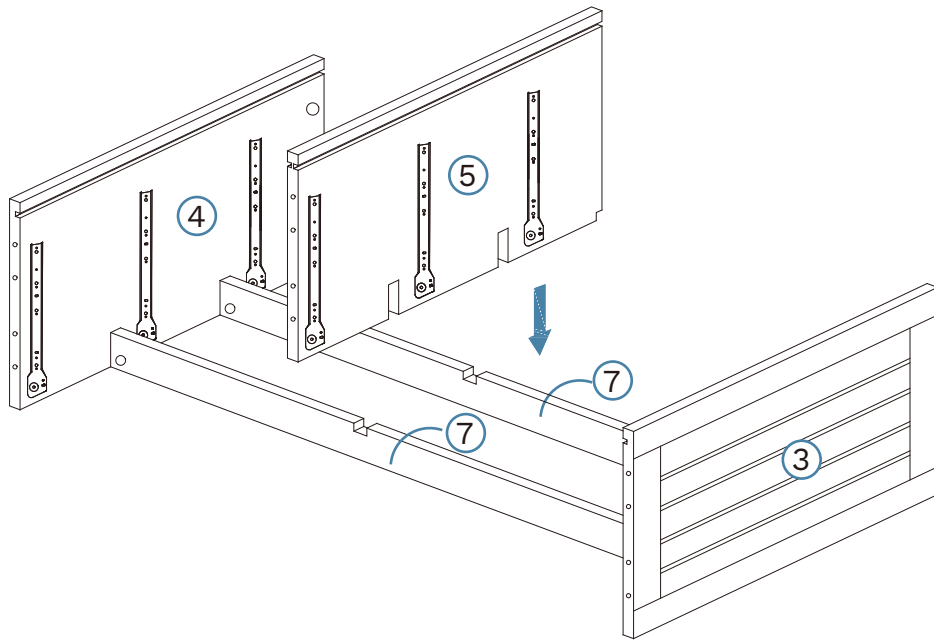
6



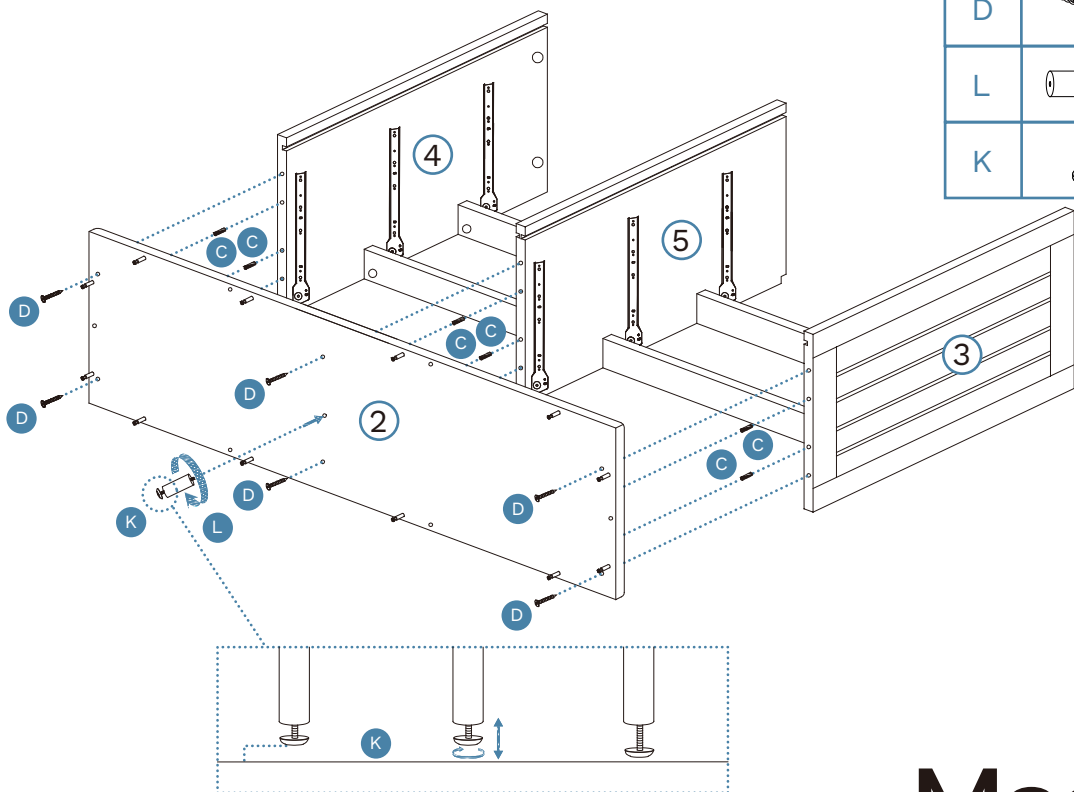
Hardware Needed		
B		x4
C		x4





Hamptons Six Drawer

7



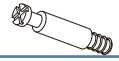


8

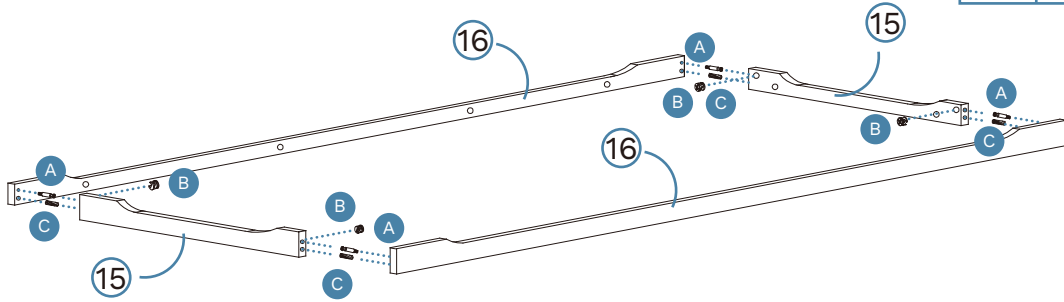


Hardware Needed		
C		x6
D		x6
L		x1
K		x1


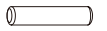
Hamptons Six Drawer

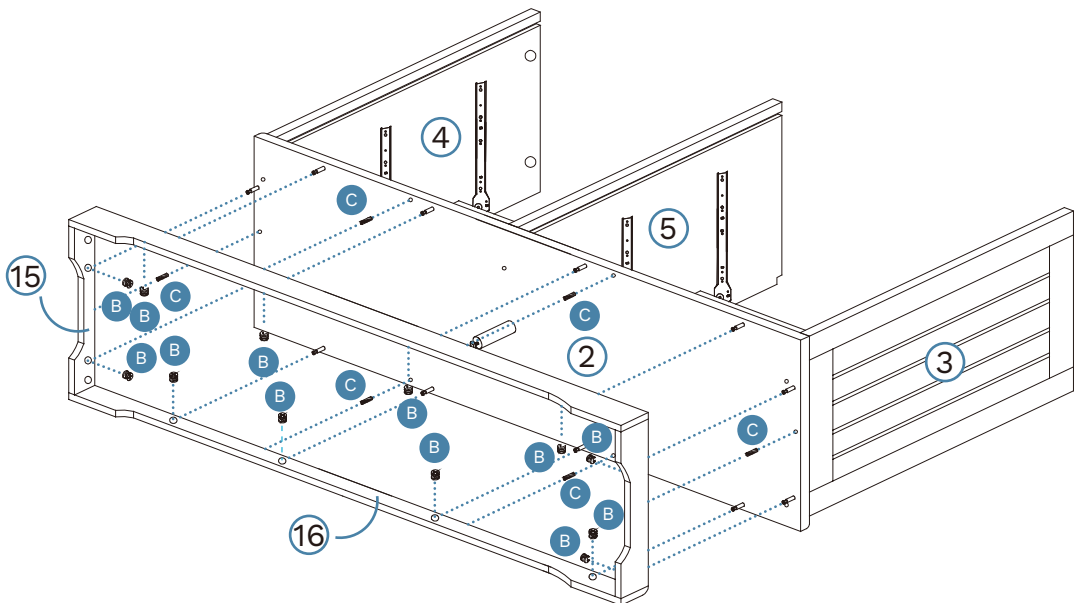
9

Hardware Needed		
A		x4
B		x4
C		x4



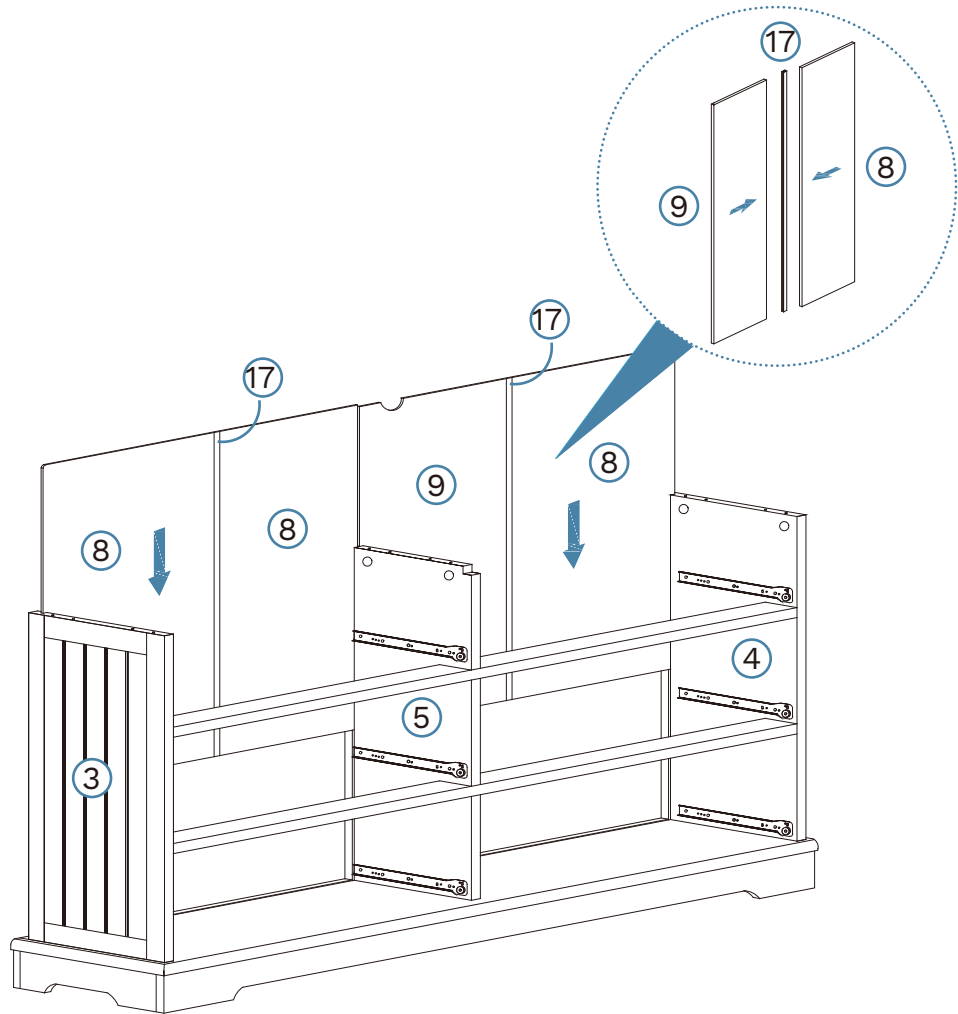
10

Hardware Needed		
B		x12
C		x6

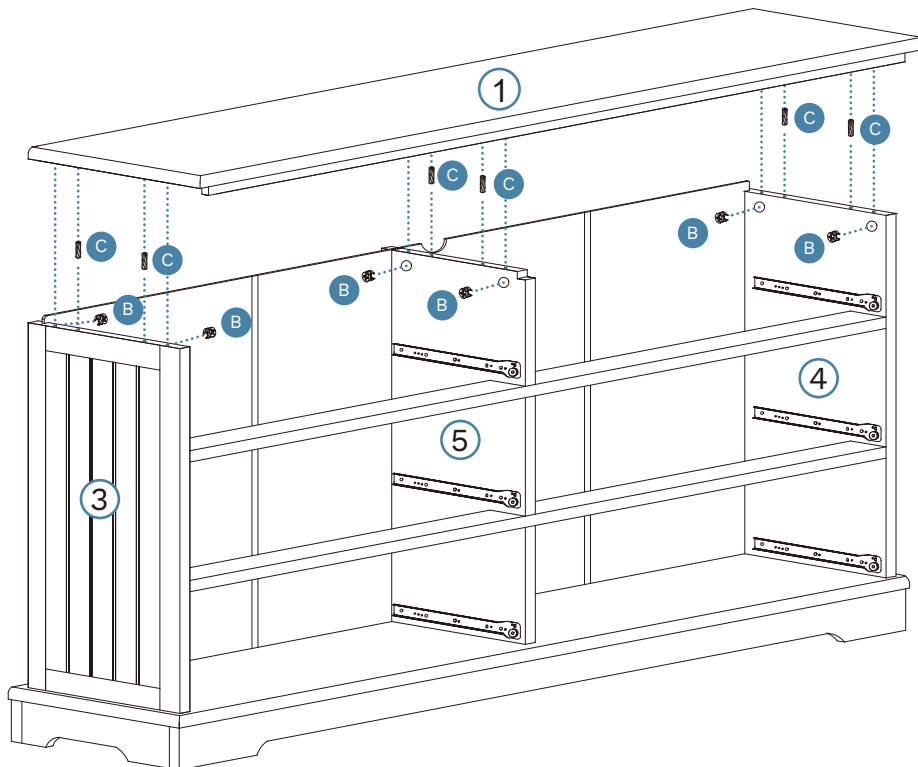




Hamptons Six Drawer

11



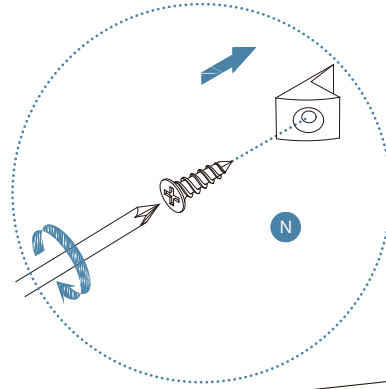
12




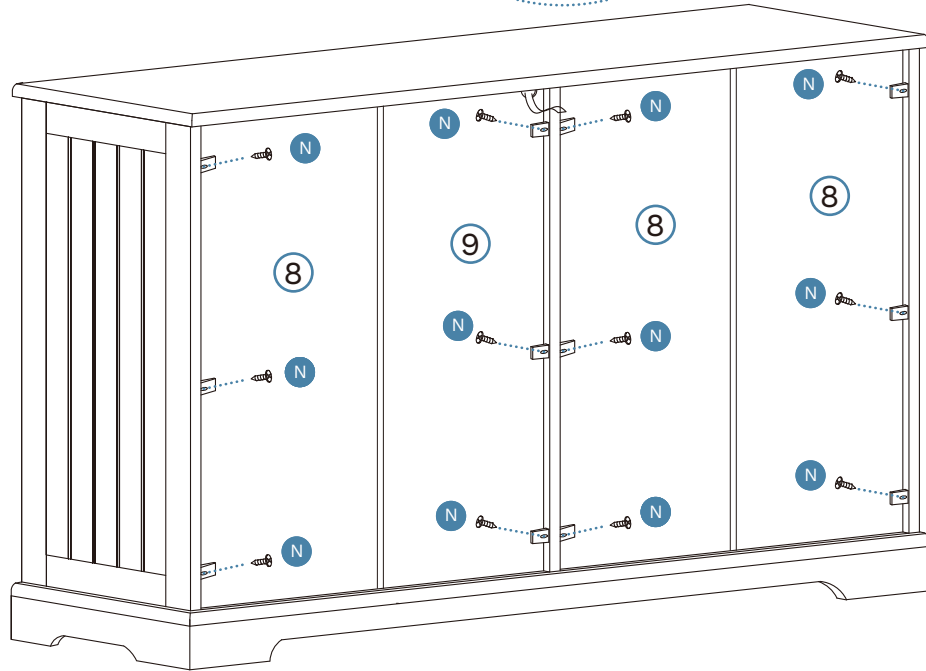
Hardware Needed		
B		x6
C		x6

Hamptons Six Drawer

13




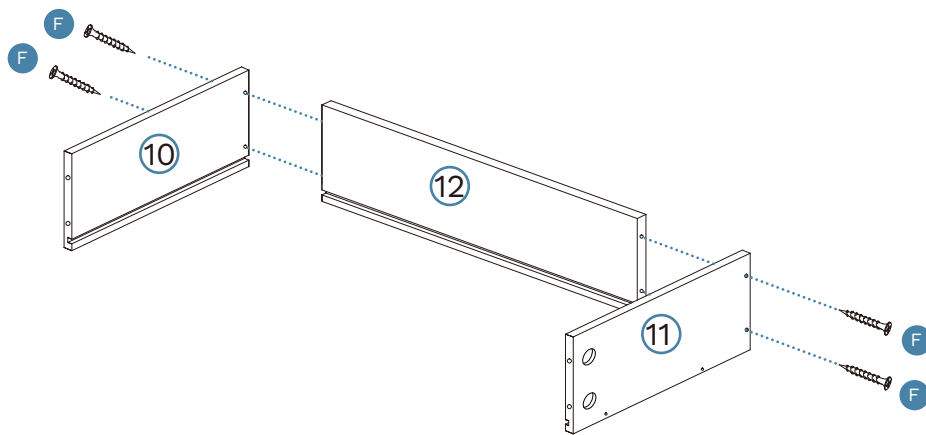
Hardware Needed		
N		x12



14

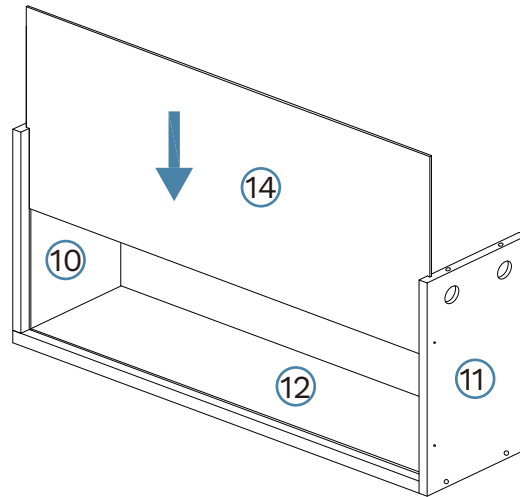
Drawers x 6

Hardware Needed		
F		x24

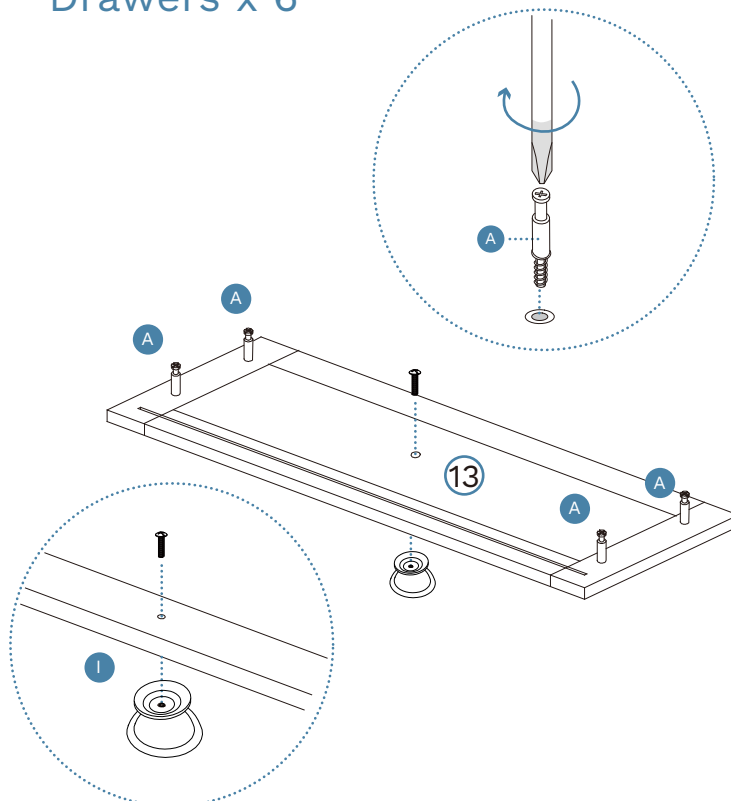


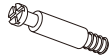

Hamptons Six Drawer

15 Drawers x 6



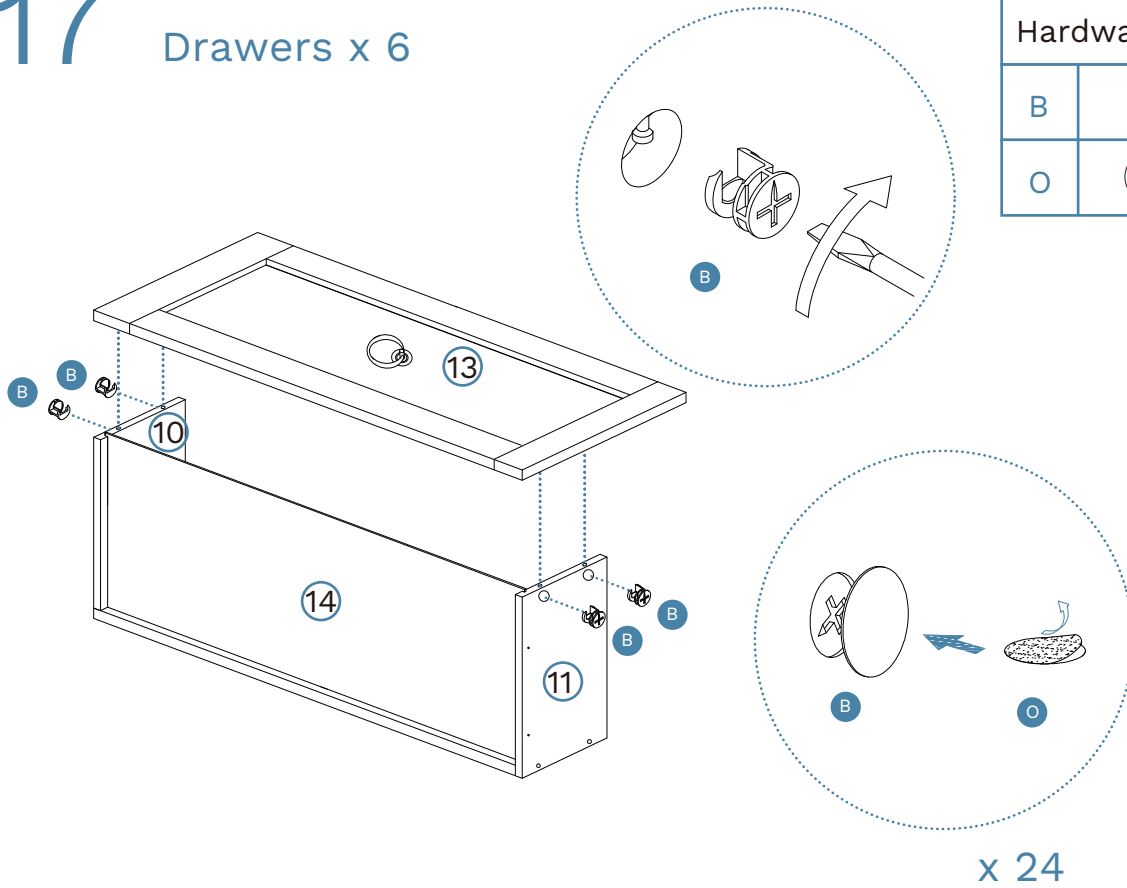
16 Drawers x 6



Hardware Needed		
A		x24
I		x6

Hamptons Six Drawer

17 Drawers x 6

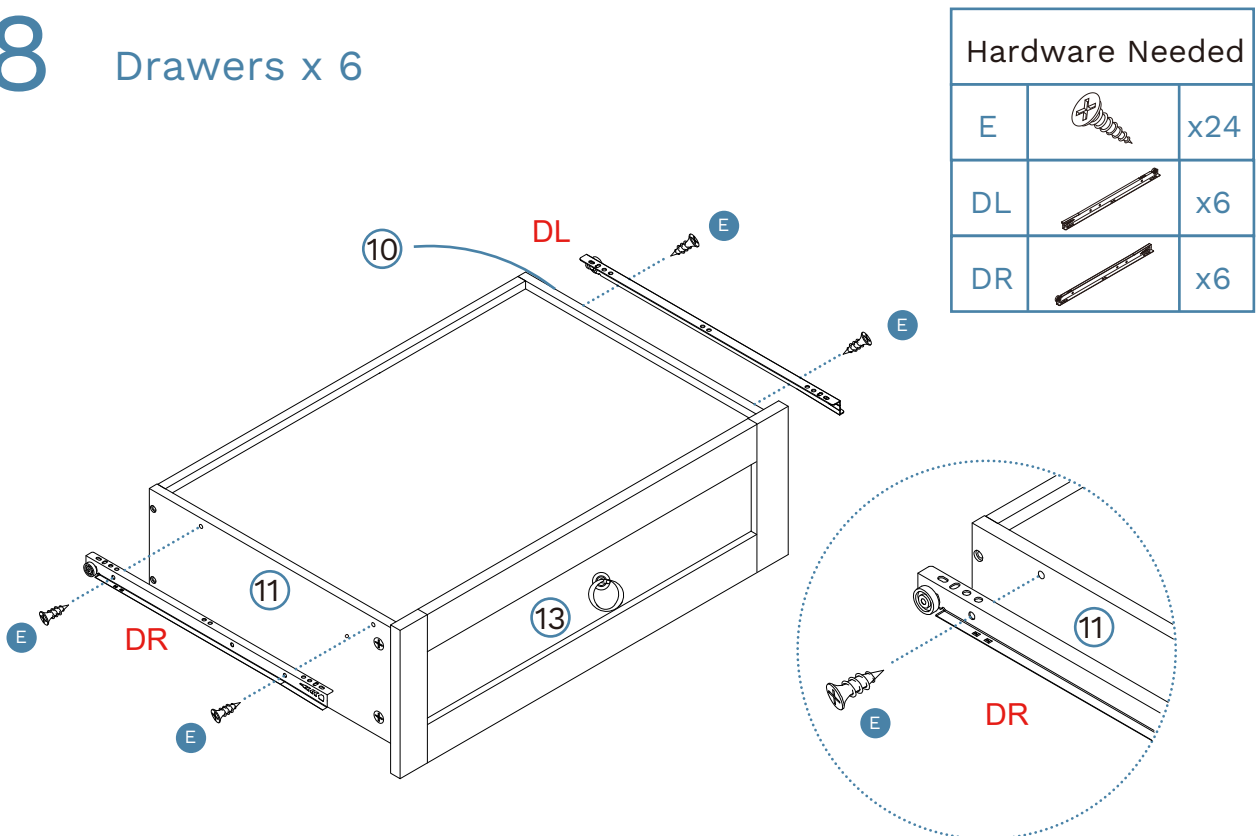


Hardware Needed

B		x24
O		x24

x 24

18 Drawers x 6

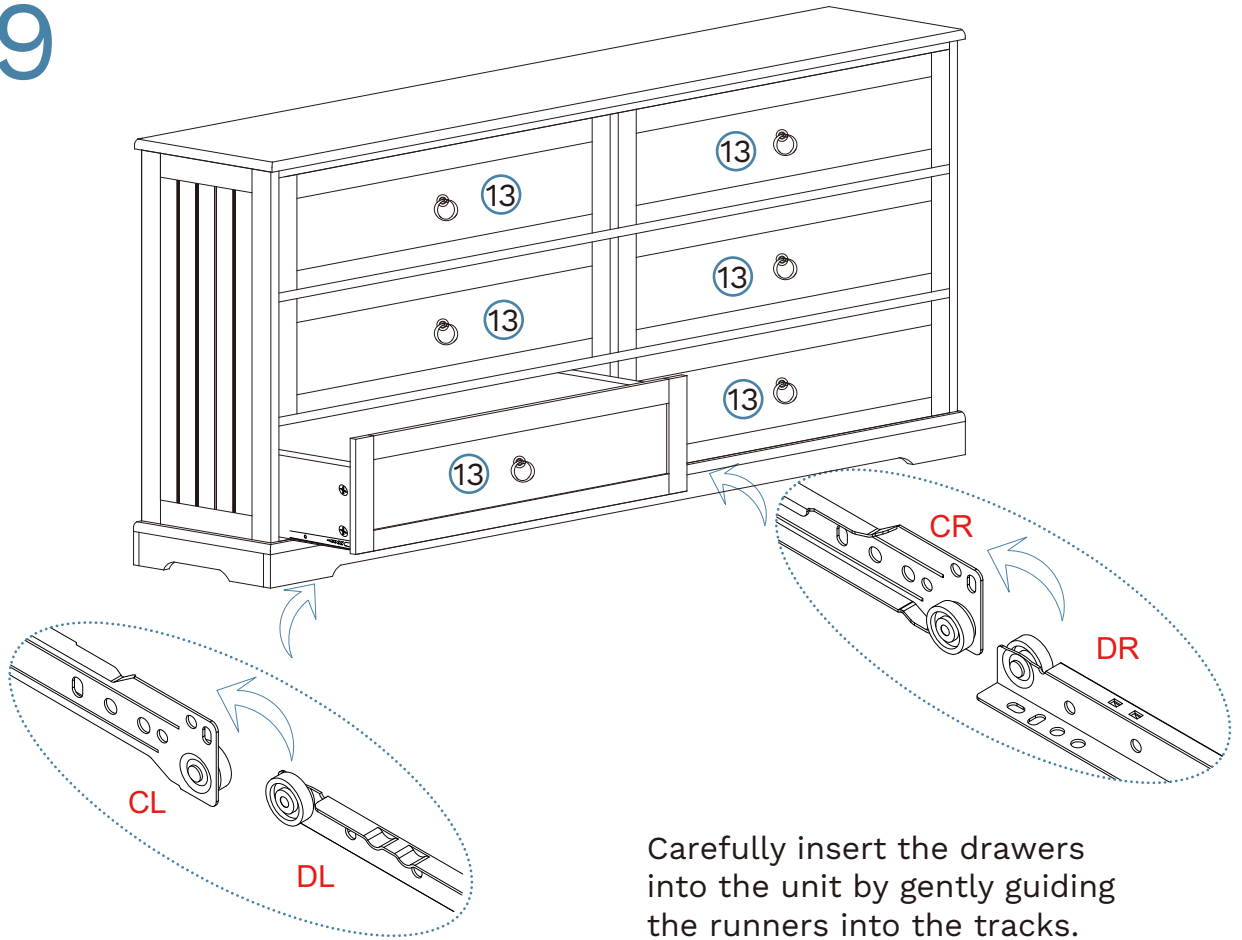


Hardware Needed

E		x24
DL		x6
DR		x6

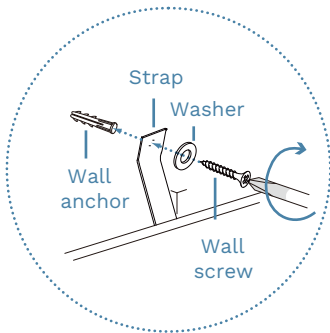
Hamptons Six Drawer

19






Carefully insert the drawers into the unit by gently guiding the runners into the tracks.

20



Note: Seek advice from a qualified trades person on how to attach this safety strap to your specific wall. Once assembled lift furniture into place, do not drag.

Hardware Needed		
X		x1
Y		x1
Z		x1

